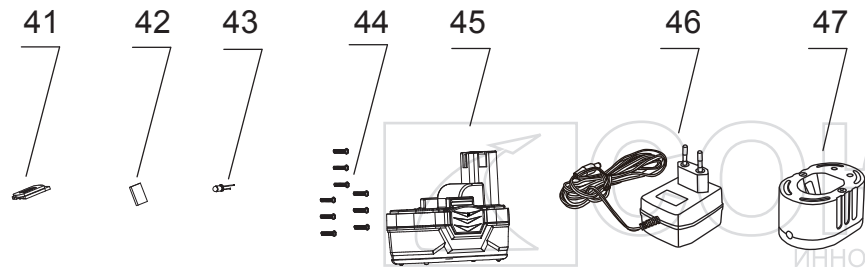
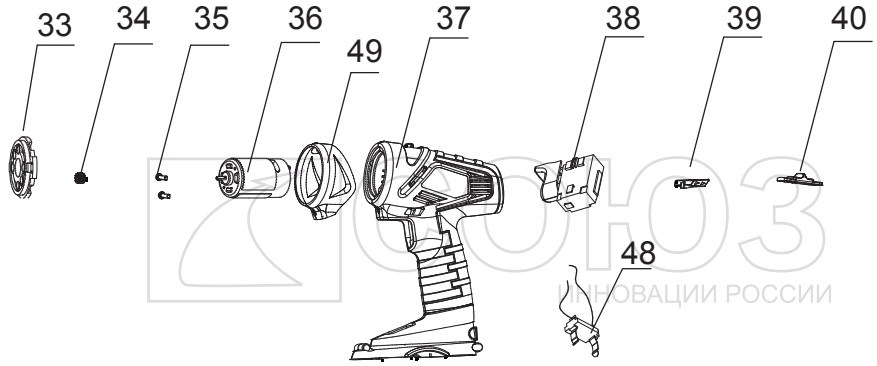
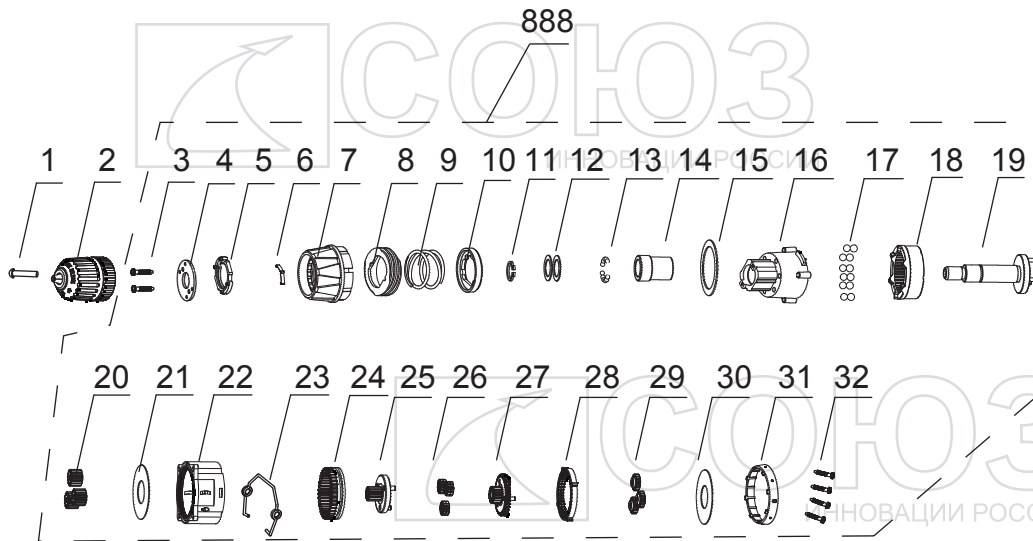


ДШС-3214. ДШС-3218К



NO.	DESCRIPTION	NO.	DESCRIPTION
1	CHUCK SCREW	26	THE SECOND PLANETARY GEAR
2	CHUCK	27	THE FIRST PLANETARY BRACKET
3	SCREW	28	FIXED GEAR RING
4	PRESS BOARD	29	THE FIRST PLANETARY GEAR
5	POSITION SPRING HOLDER	30	WASHER
6	POSITION SPRING	31	TORQUE RING
7	TORQUE SETTING RING	32	SCREW
8	INNER THREAD RING	33	MOTOR PRESS BOARD
9	SPRING	34	MOTOR GEAR
10	POSITION WASHER	35	SCREW
11	CIRCLIP	36	MOTOR
12	WASHER	37	HOUSING
13	STEEL BALL	38	SWITCH
14	BUSH	39	DIRECTION LEVER
15	BIG WASHER	40	TWO SPEED BUTTON
16	FRONT GEAR BOX	41	MAGNET HOLDER
17	STEEL BALL	42	MAGNET
18	GEAR RING	43	LED
19	SPINDLE	44	SCREW
20	THE THIRD PLANETARY GEAR	45	BATTERY PACK
21	WASHER	46	CHARGER
22	BACK GEAR BOX	47	CHARGER BASE
23	2 SPEED LEVER	48	CONNECTOR
24	MOVING RING GEAR	49	HOUSING COVER
25	THE SECOND PLANETARY BRACKET	888	GEAR BOX ASSEMBLY

RU-ST20140807